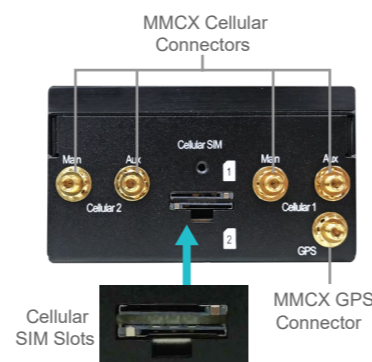
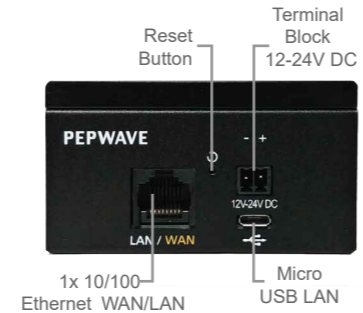


Specifications

SpeedFusion Engine	
WAN Interface	1x FE 1 or 2x Embedded LTE Modems
LAN Interface	1x FE 1x USB Port
USB LAN Port	Micro-USB B
Router Throughput	100Mbps
Recommended Users	1-60
LTE Modem	Downlink/Uplink Datarate: 100Mbps/50Mbps
LTE-A Modem	Downlink/Uplink Datarate: 300Mbps/50Mbps
Cellular and GPS Antenna Connector	4x MMCX Antenna Connectors 1x MMCX GPS Antenna Connector
Power Input	Terminal Block 12V-24V DC
Power Consumption	15W (max.)
Dimensions	2.95 x 3.25 x 1.65 inches 75 x 83 x 42 mm
Weight	0.77 pound 350 grams
Operating Temperature	-40° – 149°F -40° – 65°C
Humidity	15% – 95% (non-condensing)
Certifications	FCC, CE, RoHS, E-Mark EN 61373: 2010 - Shock and Vibration Resistance EN 50155: 2007 - Railway Applications - Electronic Equipment used on Rolling Stock
Warranty	1-Year Limited Warranty
Package Content	SpeedFusion Engine, 1 Pair of Mounting Brackets (ACW-769) 2pin Terminal Block Connector



SpeedFusion Engine

Integrate SpeedFusion SD-WAN Into Any System



You have a product that needs to get connected anytime, anywhere. The best solution is to integrate unbreakable connectivity into your product. The SpeedFusion Engine helps you integrate SpeedFusion SD-WAN into your product, overcoming several key challenges:

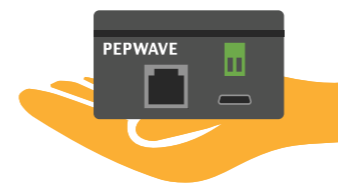
Ordering Information

	Product Code	Carrier/Region	Modems	Cellular Standard	4G Bands/Frequencies (MHz)	3G Bands/Frequencies (MHz)
LTE	SFE-DUO-LTE-US-ET	US/Americas/CAT-3	2	LTE	B2, B4, B5, B13, B17, B25	WCDMA/HSPA+/DC-HSPA+: B1, B2, B4, B5, B8 EV-DO Rev.A: BC0, BC1, BC10
	SFE-LTE-E-ET	Europe/International/CAT-4	1	LTE	B1, B3, B5, B7, B8, B20, B38 (TDD), B40 (TDD), B41 (TDD)	WCDMA/HSPA+/DC-HSPA+: B1, B5, B8
	SFE-DUO-LTE-E-ET	Europe/International/CAT-4	2	LTE	B1, B3, B5, B7, B8, B20, B38 (TDD), B40 (TDD), B41 (TDD)	WCDMA/HSPA+/DC-HSPA+: B1, B5, B8
LTE-A	SFE-DUO-LTEA-W-ET	Worldwide/CAT-6	2	LTE Advanced	B1, B2, B3, B4, B5, B7, B8, B12, B13, B20, B25, B26, B29, B30, B41	WCDMA/HSPA+/DC-HSPA+: B1, B2, B3, B4, B5, B8
	SFE-DUO-LTEA-P-ET	Asia Pacific/CAT-6	2	LTE Advanced	B1, B3, B5, B7, B8, B18, B19, B21, B28, B38, B39, B40, B41	WCDMA/HSPA+/DC-HSPA+: B1, B5, B8, B9, B19 UMTS: B6 TD-SCDMA: B39

Custom Options

Product Code	Description
SIM-BK8-4E-56V	SIM Injector, 8x SIM cards capacity, 4x 10/100/1000 LAN ports, 56V DC
ANT-MB-40G-S-W-6	5-in-1 Cellular Antenna System with GPS Receiver (White)
ANT-MB-40G-S-B-6	5-in-1 Cellular Antenna System with GPS Receiver (Black)

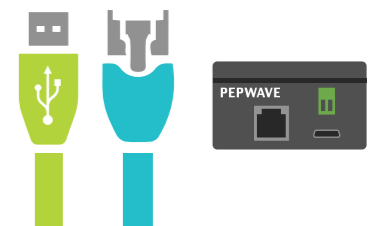
Need to Minimize Footprint and Weight



Cellular Coverage and Network Stability Not Guaranteed



Integrating Cellular Connectivity is Complex



Ultra-Compact SpeedFusion SD-WAN

The SpeedFusion Engine fits in the palm of your hand, making it easy to integrate into your existing products.

Combine the Bandwidth of 2 Cellular Connections

With a Peplink router at HQ, SpeedFusion SD-WAN technology combines 2 cellular connections to ensure reliable connectivity, no matter where you deploy.

Plug-n-Play Integration, Low Power Consumption

With an Ethernet port, a USB port, and 10W consumption, the SpeedFusion Engine can integrate with your devices - without complicated software porting.